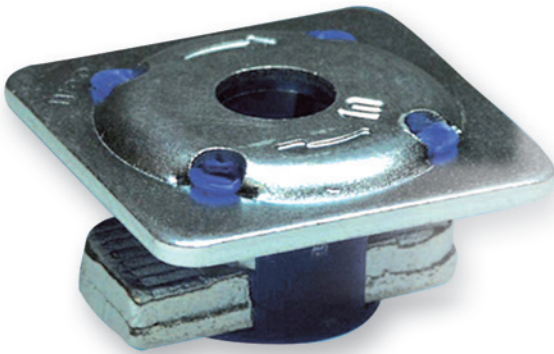


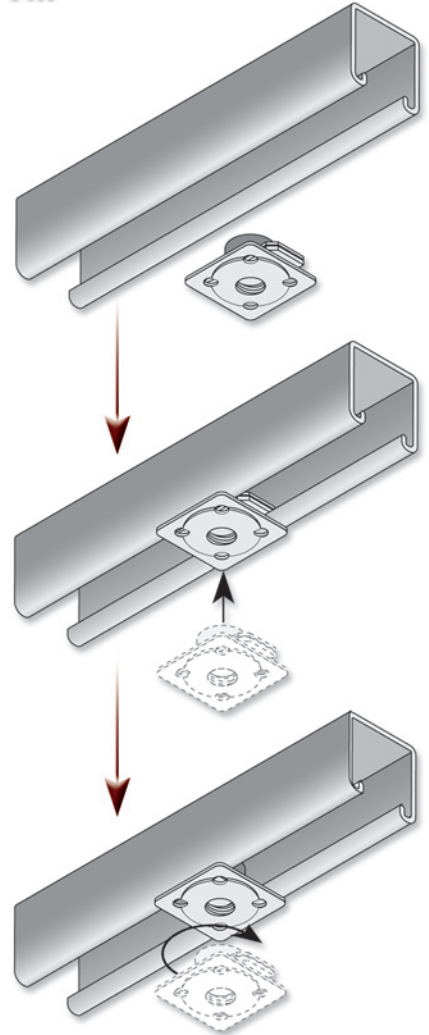


UNISTRUT®

Kwik Washer™



***Reduces
Design Time &
Installation Cost***



The Original Metal Framing System

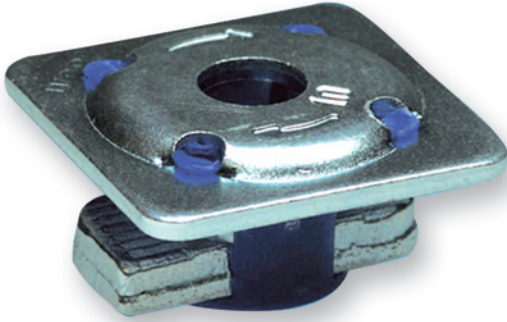
PRODUCT
FOCUS



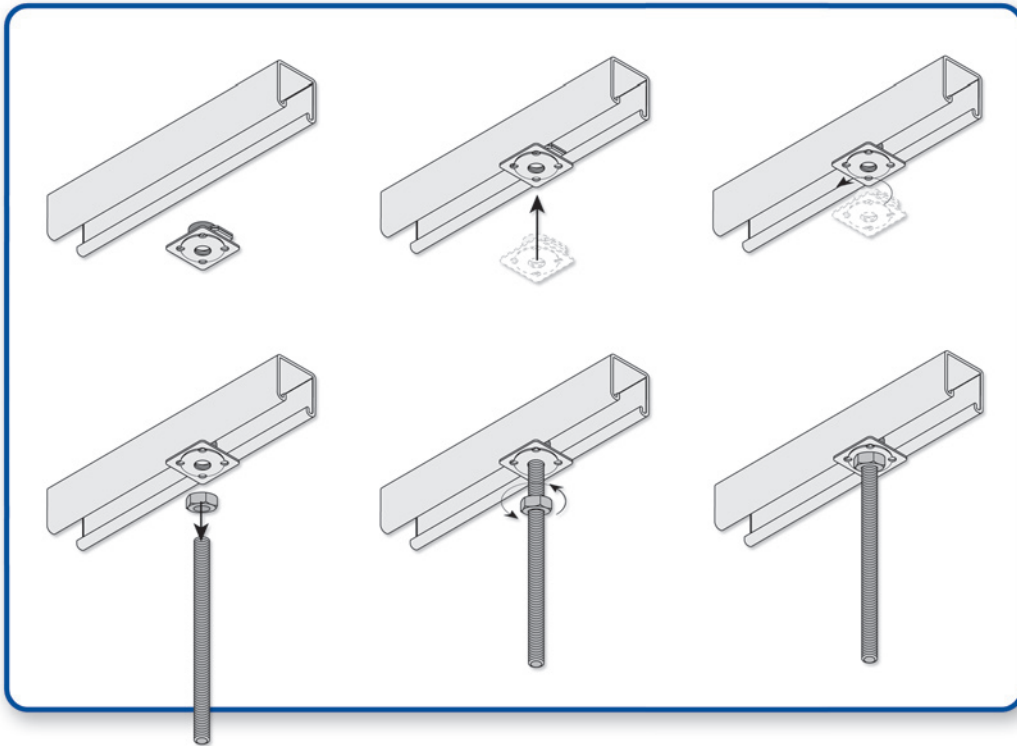
UNISTRUT®

ADVANTAGES:

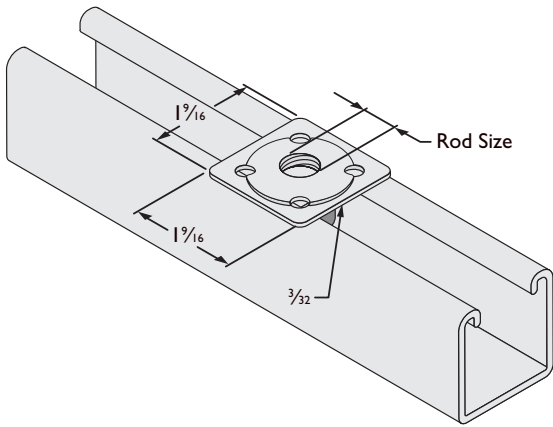
- Up to 50% savings in installation time.
- Reduction of required parts.
- Available in zinc plated and hot dip galvanized.
- Overhead installation with one hand.
- Spring-lock adjustment of fittings on the channel.
- Mounting time cut in half, remounting features



Kwik Washer™

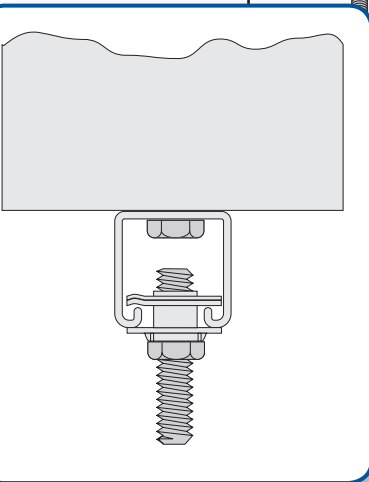
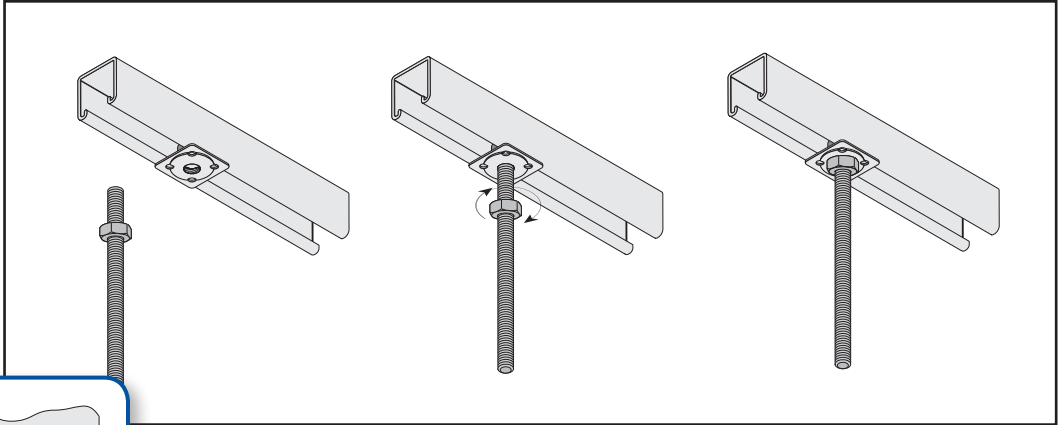


Kwik Washer™ Product Focus



Part No.	Rod Size	Load *
	In.	Lbs./kN
K1062	1/4"	290 1.3
K1063	3/8"	730 3.2
K1064	1/2"	1,350 6.0

* Load limited by rod load



Preassemble onto threaded rod to simplify drop rod install...

- Saves Time
- No Loose Parts

Use where you would normally use a channel nut & washer...

- Reduces three parts to just one
- Makes possible one-handed installation

UNISTRUT®

The System with the “Right Turn”

- **Plug In**
- **Turn Right**
- **Fix**
- **Adjust**
- **Tighten**



For the complete Unistrut® product line, consult our website...

4205 Elizabeth
Wayne, MI 48184
Phone: 800-521-7730
Fax: 734-721-4106

www.unistrut.com

tyco / Electrical &
Metal Products