



UNISTRUT®

Missing Link

Multi-Purpose Strut Fastener



Patent Pending



FINALLY...

*A T-Slotted Channel
Nut that Does Not
Require an
Additional Fitting*

The Original Metal Framing System

PRODUCT
FOCUS



UNISTRUT®

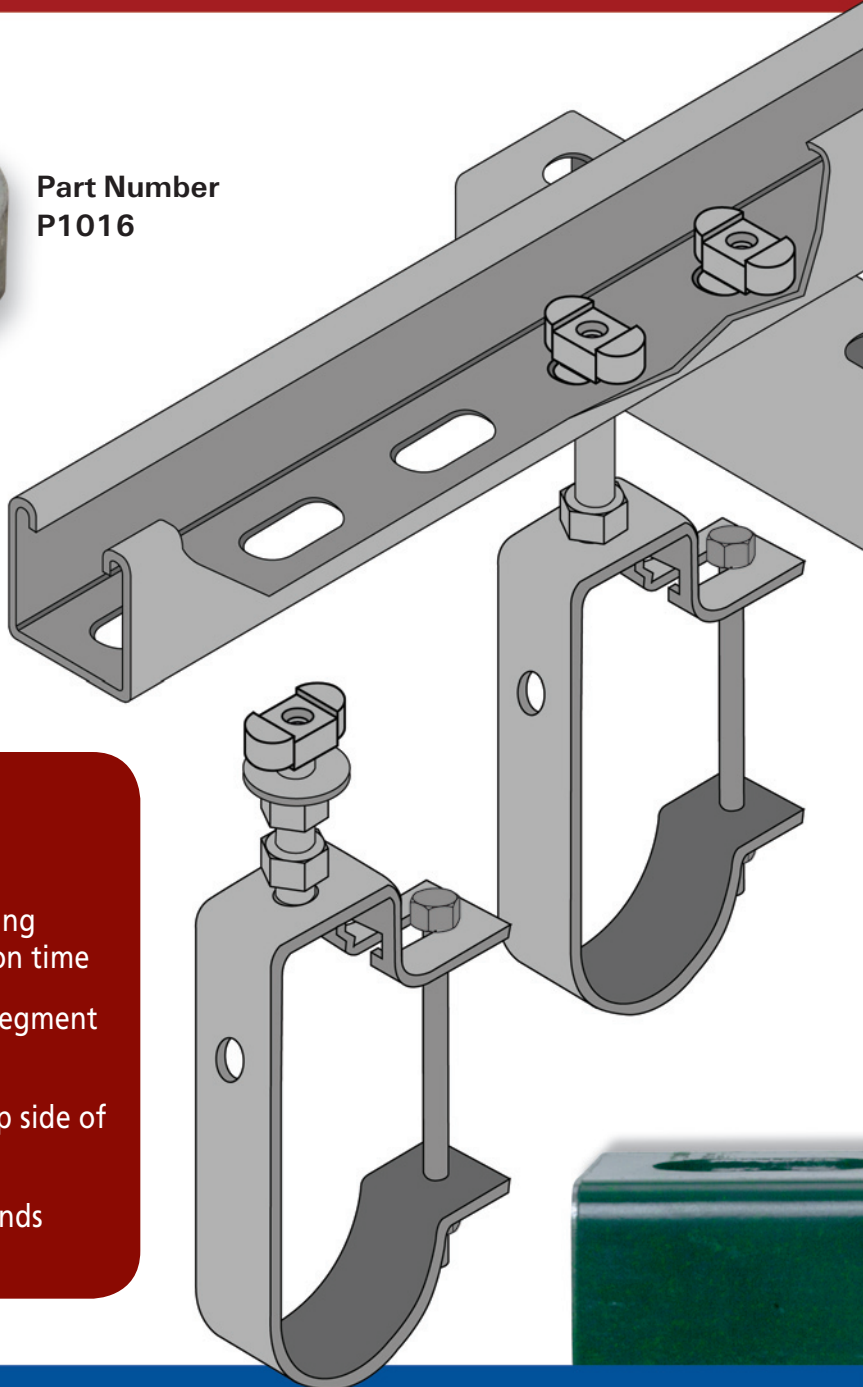


Part Number
P1016

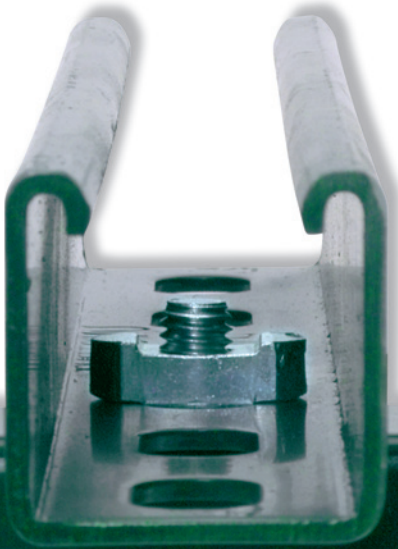
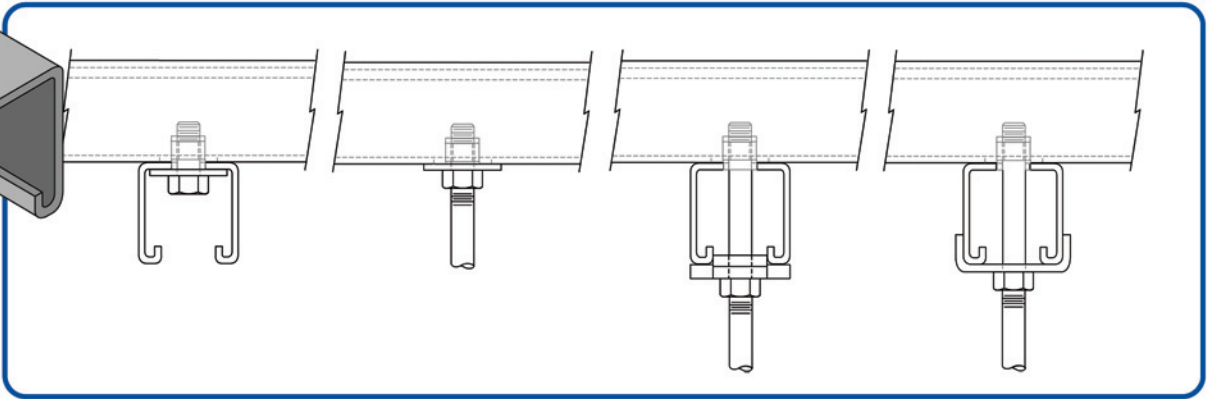
Missing Link

Multi-Purpose Strut Fastener

- Allows pre-assembly of $\frac{3}{8}$ " threaded rod
- Easily add drop rod to existing trapeze, reducing installation time
- Add back-to-back channel segment to existing channel
- Attach without access to top side of channel
- Design load equals 900 pounds



LIMITLESS APPLICATIONS

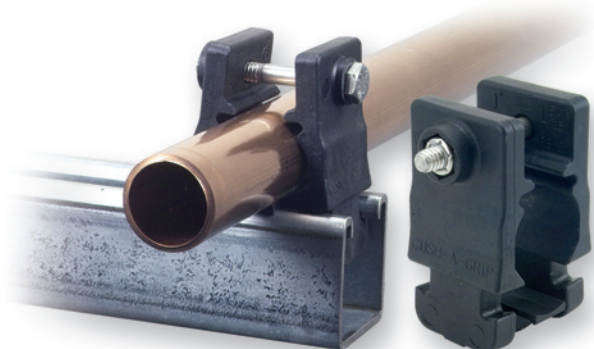


(Not intended to be used as a substitute for factory welded double channel when connecting channel back to back)

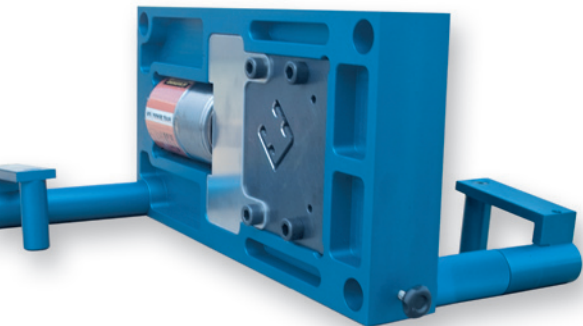
UNISTRUT® Other Products



Slot Adapter™



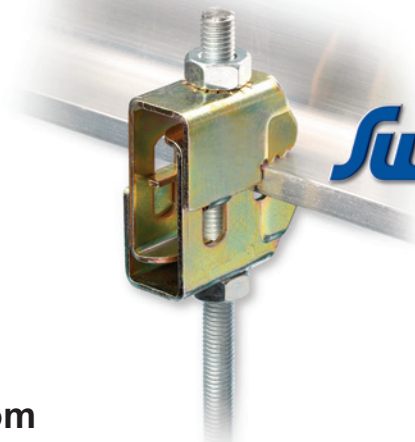
Cush-A-Grip®



Cut-N-Strut™



UNIPier™
ROOFTOP PIPE SUPPORT SYSTEM



Swiftgrip

4205 Elizabeth
Wayne, MI 48184
Phone: 800-521-7730
Fax: 734-721-4106

www.unistrut.com

tyco / Electrical &
Metal Products