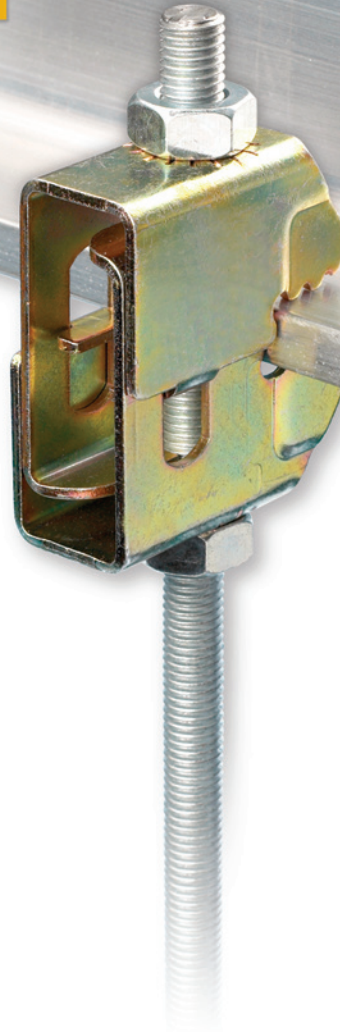




# UNISTRUT®

## *Swift*grip

***Saves You  
Time &  
Money***



*The Original Metal Framing System*

PRODUCT  
**FOCUS**



# UNISTRUT®

## Swiftgrip

Designed to significantly reduce installation time, while offering greater performance than cast beam clamps, the Swiftgrip enables connection of drop rod to beam in one simple operation.

Ideal for the suspension of building services equipment including heating, ventilating and air conditioning equipment; pipework; fire protection systems; electrical equipment and cable tray.

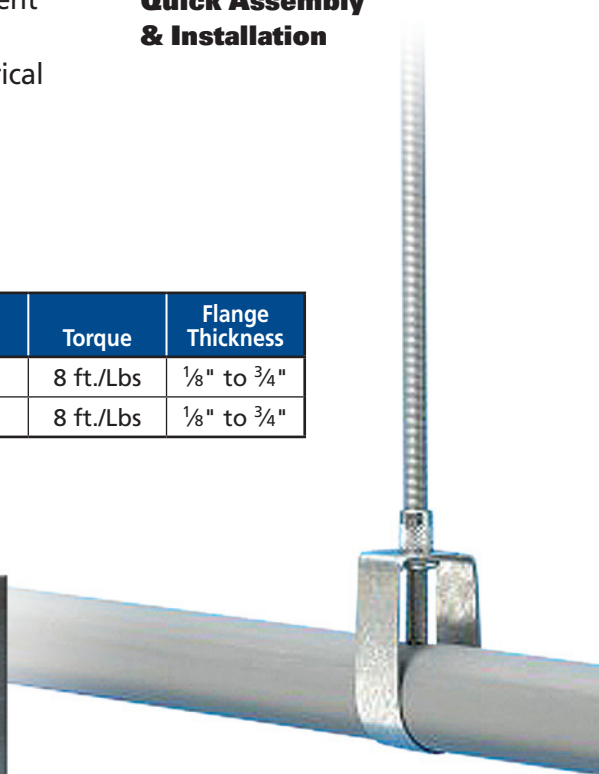


### Quick Assembly & Installation

## SPECIFICATIONS


Part Number	Finish	Rod Size	Design Load	Safety Factor	Torque	Flange Thickness
PFL2-37	SS	3/8"	540 lbs	4	8 ft./Lbs	1/8" to 3/4"
PFL2-37	ZD	3/8"	540 lbs	4	8 ft./Lbs	1/8" to 3/4"

***SwiftGrip Clamps are also available in Type 304 Stainless Steel.***





## FEATURES

- Simple installation procedure
- Ingeniously simple product design
- Lightweight
- Greater performance
- FM approved 

## BENEFITS

- Reduced installation time
- Reduced overall cost
- Drop is easily adjusted

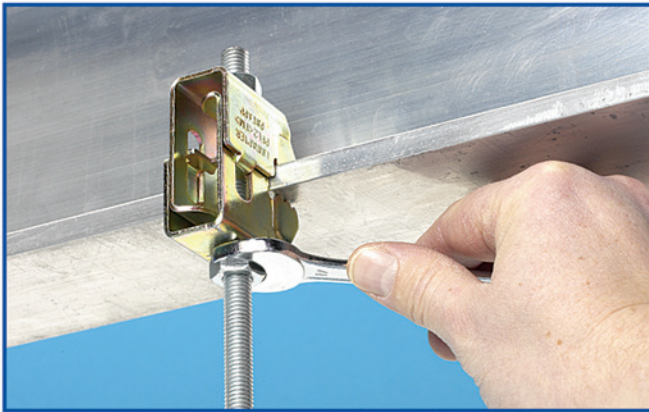
## ADVANTAGES

- Greatly reduces total installation time.
- No specialist labor or tools required.
- Improved storage & handling capability.
- 60% increase in rigidity throughout the working load range.
- Recognized & approved by the fire protection industry world-wide.

***Reduced Installation Time***  
***Reduced Installation Cost***  
***Greater Performance***



# Installation Guidelines



## INSTALLATION GUIDELINES

- 1** Pre-assemble the Swiftgrip Beam clamp onto the  $\frac{3}{8}$ " drop rod as illustrated in diagram 1.
- 2** Place the top jaw of the clamp onto the beam ensuring that the end of the flange is in contact with the main body.
- 3** Slide the bottom jaw up the drop rod until in contact with the underside of the beam.
- 4** Tighten the  $\frac{3}{8}$ " nut. To avoid overtightening, a rough guide is finger tight plus one full turn (360°) with wrench. A torque of 8 ft./Lbs. is recommended.

NOTE: If the drop rod is rotated after tightening to adjust its height, loosen the nut and retighten the Swiftgrip as stated in step 4.

***For the complete Unistrut product line,  
consult our website...***

4205 Elizabeth  
Wayne, MI 48184  
Phone: 800-521-7730  
Fax: 734-721-4106

**www.unistrut.com**

**tyco** / Electrical &  
Metal Products

