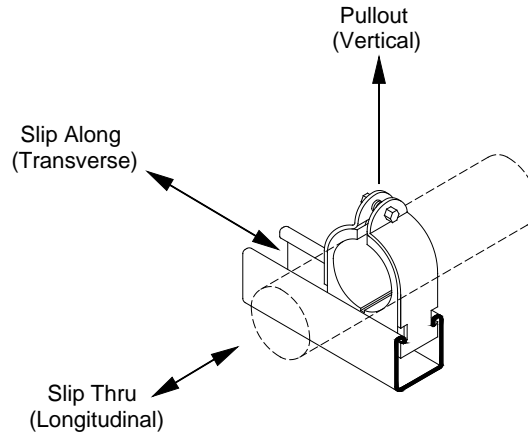


Part Description : CUSH-A-CLAMP
Date : August 22, 2005



Clamp Part No.	Nominal Pipe Size	Average Ultimate Load (lbs)			Design Load (lbs)		
		Pullout	Slip Along	Slip Thru	Pullout	Slip Along	Slip Thru
009N012	1/4"	1,600	100	140	200	20	20
011N014	3/8"	1,400	170	240	200	20	20
014N018	1/2"	1,800	190	160	300	30	30
017N022	3/4"	2,300	270	310	400	30	30
021N026	1"	2,100	140	200	400	30	30
027N032	1 1/4"	3,100	270	260	500	50	50
030N034	1 1/2"	4,000	640	340	500	70	50
038N044	2"	4,000	580	310	500	70	50
046N052	2 1/2"	2,900	350	270	500	70	50
056N062	3"	4,800	910	550	900	150	90
064N072	3 1/2"	4,800	790	460	900	150	90
072N080	4"	4,800	920	500	900	150	90
089N096	5"	5,800	820	630	1,000	160	120
106N114	6"	6,500	1,000	770	1,000	160	120

NOTES

1. Ultimate Loads from Test Report C-210
2. Minimum Safety Factor of 5
3. Temperature Range -50° F to +275° F

Unistrut Engineering