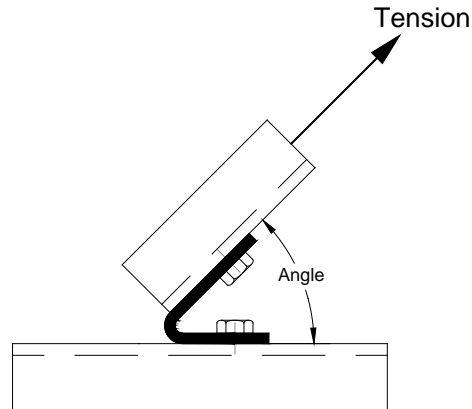


DESIGN LOAD REPORT

Part Description: Angular Fittings P2105 – P2110 & P1186
Report Date: August 29, 2005



Part Number	Angle	Ave. Ultimate Tension (lbs)	Design Tension Load (lbs)	Avg. Deflection at Design Tension Load
P2105	82 ½°	5,800	1,500	0.140"
P2106	75°	6,000	1,500	0.147"
P2107	67 ½°	6,000	1,500	0.179"
P2108	60°	5,300	1,500	0.189"
P2109	52 ½°	5,100	1,500	0.200"
** P1186	45°	4,300	1,400	0.190"
** P2110	37 ½°	3,300	1,100	0.158"

NOTES

1. Average Ultimate Load from Test T-069
2. Testing Based on 1/2"-13 Channel Nut & Cap Screw Torqued to 50 ft-lbs
3. Average Safety Factor = 3.5, Except **
4. **SF = 3
5. Design Loads Limited to 1,500 lbs Slip Load of 1/2"-13 Channel Nuts, Except**
6. **Deflection is Straight Line Interpolation of Average Deflection Readings at 1,000lbs and 1,500lbs Tension Load
7. Deflection measured in direction of tension load

Unistrut Engineering