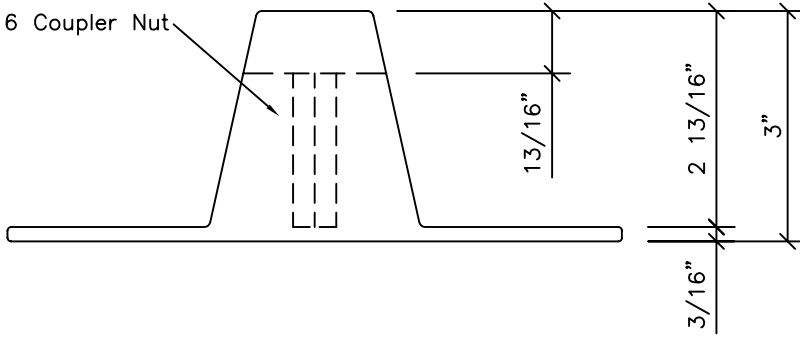
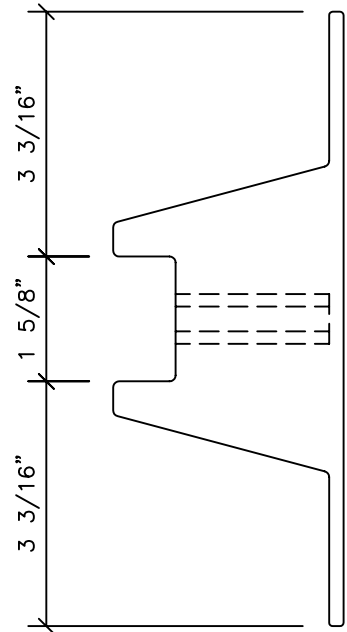
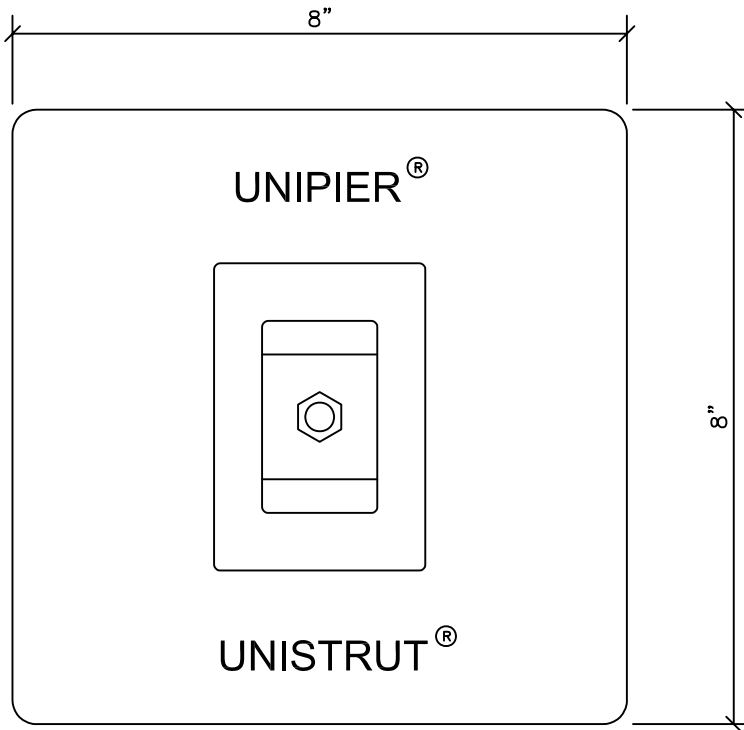


3/8"-16 Coupler Nut



NOTES

1. Maximum Load = 200 lbs
2. Base is Made from a Polycarbonate Resin



These drawings and specifications are the proprietary property of Unistrut Corporation and shall not be reproduced, copied or used in any manner without the written consent of Unistrut Corporation.

		TOLERANCES UNLESS OTHERWISE NOTED	UNISTRUT CORPORATION 35660 Clinton Street, Wayne, MI 48184 (734) 721-4040			MATERIAL
		DECIMAL ±.015	DR. DJJ	CKD	DATE	CATALOG NO. UP-BK
NO	DATE					
REVISIONS		STD. FIN.	UNIPIER BASE			
NEXT ASSEMBLY		WEIGHT EA.				
		LBS KG				